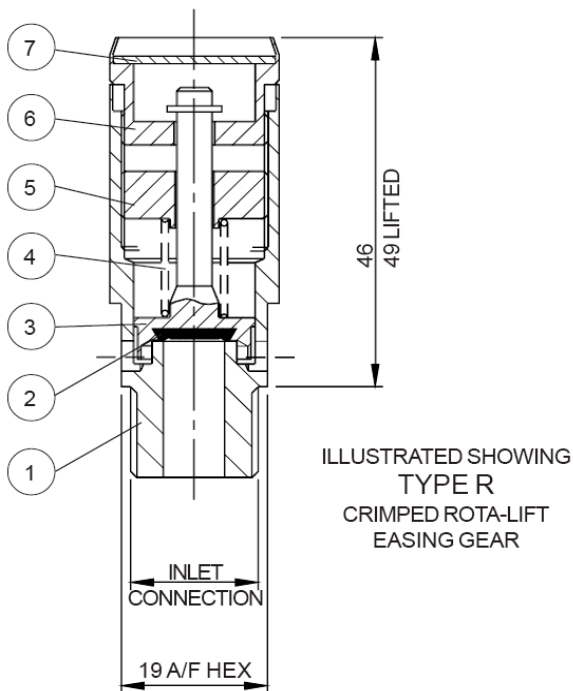


SA 75008, 75708, 75108

8 mm Nominal Bore Atmospheric Discharge Safety Relief Valve
For Steam
PED, TÜV, ASME Approved



Pressure Range

From: 0.27 bar g. (3.92 psi g.)
To: 5.00 bar g. (72.50 psi g.)



Temperature Range

Up to: 150 °C



Flow Area

49.02 mm² (7.90 mm inlet bore diameter)



Connections

Inlet: 1/4" to 1/2" BSP, BSPT
Outlet:



Seal Materials

Silicon
Ethylene Propylene

	ASME	SA 75708 *
	PED / TÜV / ASME	SA 75108 *
	PED / TÜV	SA 75008
1	BODY	BRASS CW602N / CW614N (*)
2	SEAL	TO SUIT
3	PLUNGER	BRASS CW602N
4	SPRING	ST. STEEL 1.4310 (302)
5	ADJUSTER	BRASS CW602N
6	CAP	BRASS CW602N
7	NAMEPLATE	ALUMINIUM ALLOY

Notes

- Relieving pressure is set pressure +10% (0.0 bar g. below 1.0 bar g.)
- Reseating pressure is set pressure -10% (0.3 bar g. below 3.0 bar g.)
- Below 1.00 bar g., PED certified only

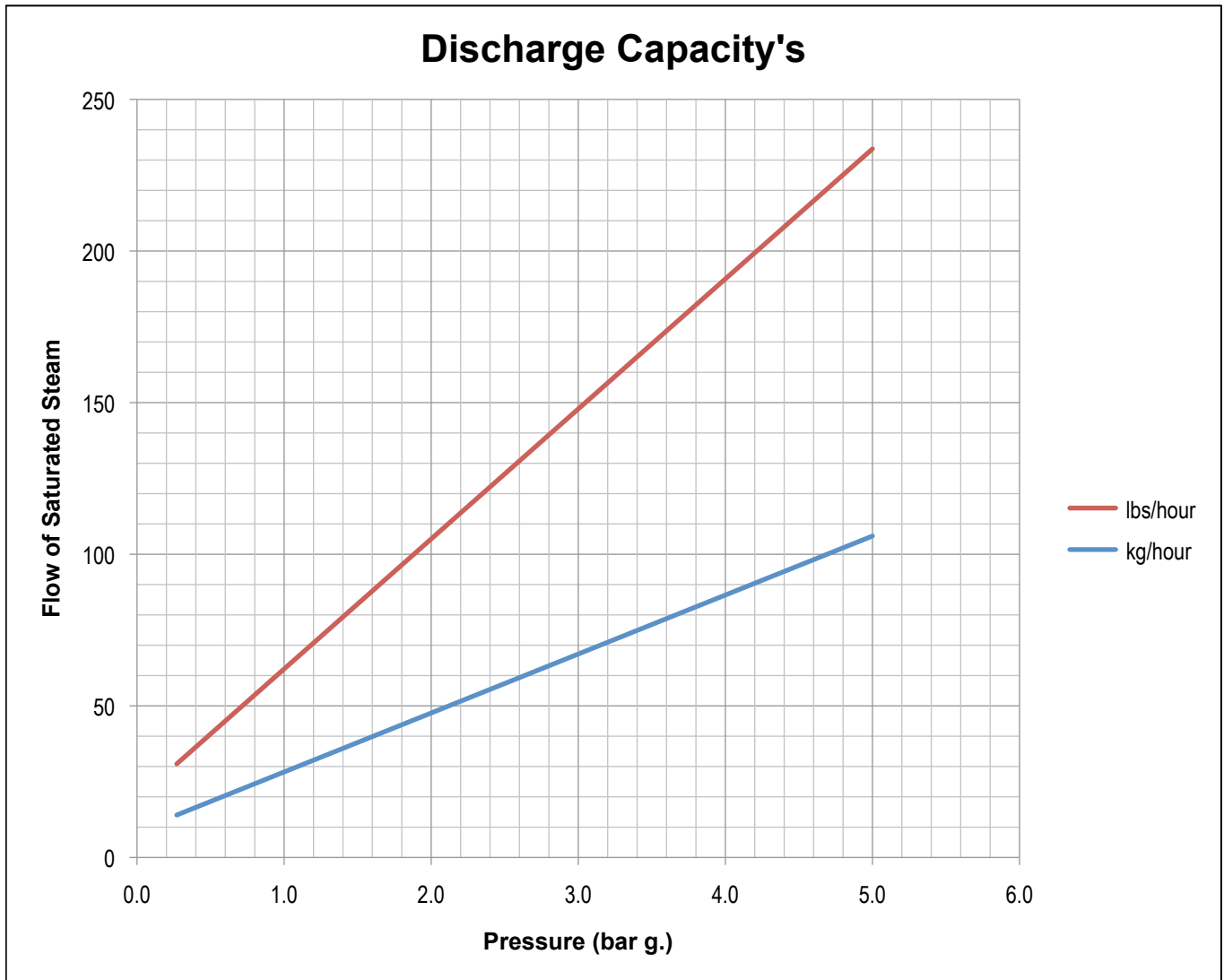
Approvals

- TÜV Germany (AD-Merkblatt A2)
- BS EN ISO 4126-1
- ASME Section VIII Division 1
- PED 97/23/EC

DN8

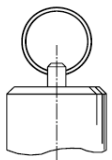
Seetru Limited
Albion Dockside Works
Bristol BS1 6UT
England

Tel: +44 (0) 117 927 9204
Fax: +44 (0) 117 929 8193
sales@seetru.co.uk
www.seetru.co.uk

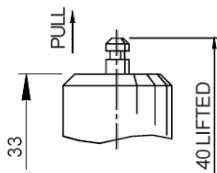


For assistance in sizing a valve to your specifications please contact the Seetru technical sales desk.

Alternate Top Fittings



TYPE PR
PULL RING
EASING GEAR



TYPE SL
CRIMPED SPINDLE-LIFT
EASING GEAR

DN8

Seetru Limited
Albion Dockside Works
Bristol BS1 6UT
England

Tel: +44 (0) 117 927 9204
Fax: +44 (0) 117 929 8193
sales@seetru.co.uk
www.seetru.co.uk